



# CI note

---

Line

A single note device for accepting cash and providing change simplifies the payment process for self-service applications, improves the operator's efficiency and enhances the customer experience.



The new CI Note Line family is designed to meet the varying requirements of self-service applications in Transport, Retail, Banking and Financial Services industries.

CI Note Line addresses the following:

### **Banknote verification and quality sorting**

- > Authentication, recognition and optionally quality or fitness sorting (e.g. according to ECB regulations)
- > CI Tech's proven sensor technology enables highest acceptance rates
- > Accepts up to 200 denominations out of 70+ currencies simultaneously

### **Modularity**

- > Modular product family with deposit, dispensing and recycling functions
- > Three different chassis sizes and a flexible submodule composition enable many different configurations covering current and future market requirements

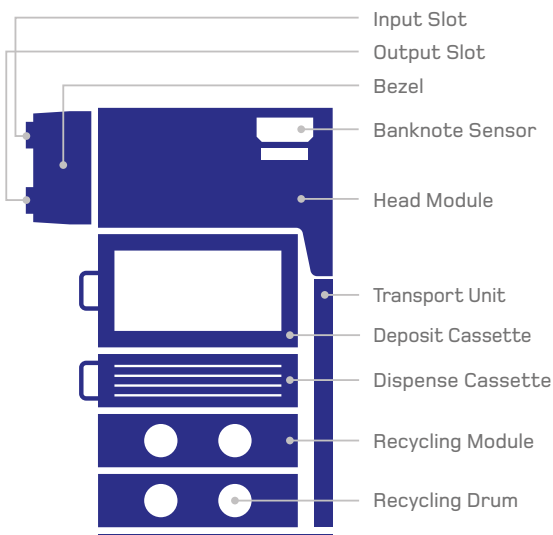
### **Security**

- > All banknotes transported through CI Note Line are properly tracked, ensuring the consistency of your cash management system
- > Monitoring of submodules during normal operation and during a power down state

## Core benefits

Secure and efficient cash handling	<ul style="list-style-type: none"> <li>&gt; Withdrawing of suspect banknotes including traceability</li> <li>&gt; Monitoring of Submodules during operational and power-down state</li> </ul>
Universal Currency Templates	<ul style="list-style-type: none"> <li>&gt; Supports single- and multi-currency templates</li> <li>&gt; Remote update via Host-PC or direct on-site update</li> </ul>
Product configuration – scalable solution	<ul style="list-style-type: none"> <li>&gt; Multitude of hard- and software configurations</li> <li>&gt; Universal sized Submodules are compatible with each other</li> </ul>
Software flexibility	<ul style="list-style-type: none"> <li>&gt; Generic firmware for all device types</li> <li>&gt; Cloning of configuration settings</li> <li>&gt; Universal Currency Templates</li> </ul>
Repair & spare parts	<ul style="list-style-type: none"> <li>&gt; Easy and quick exchange</li> <li>&gt; No tools required for FRU replacement</li> <li>&gt; One product training for all product configurations</li> </ul>
Practical serviceability	<ul style="list-style-type: none"> <li>&gt; Easy jam clearance – all transport paths are fully accessible</li> <li>&gt; Guarantees better machine uptime</li> </ul>
Lower cash handling costs with dispense and recycling function	<ul style="list-style-type: none"> <li>&gt; Optimal change provided for a better customer experience</li> <li>&gt; Reduced float level for improving operating costs</li> <li>&gt; Longer CIT pick-up cycles result in improved machine uptime</li> </ul>
Accepts and recycles exceptional banknotes	<ul style="list-style-type: none"> <li>&gt; Up to 85 mm width (e.g. GBP 50)</li> <li>&gt; Up to 181 mm length (e.g. CHF 1,000, 8<sup>th</sup> series)</li> </ul>
Download Portal	> 24/7 download of currency templates, documentation and software

## CI Note Line configuration



Shown configuration icon example:  
CI 13-21

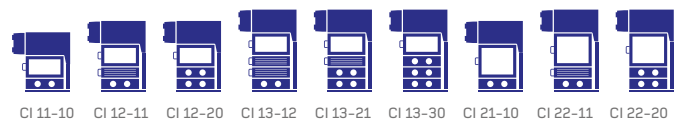
### CI Note Line BIM



### CI Note Line Dispense



### CI Note Line Recycle



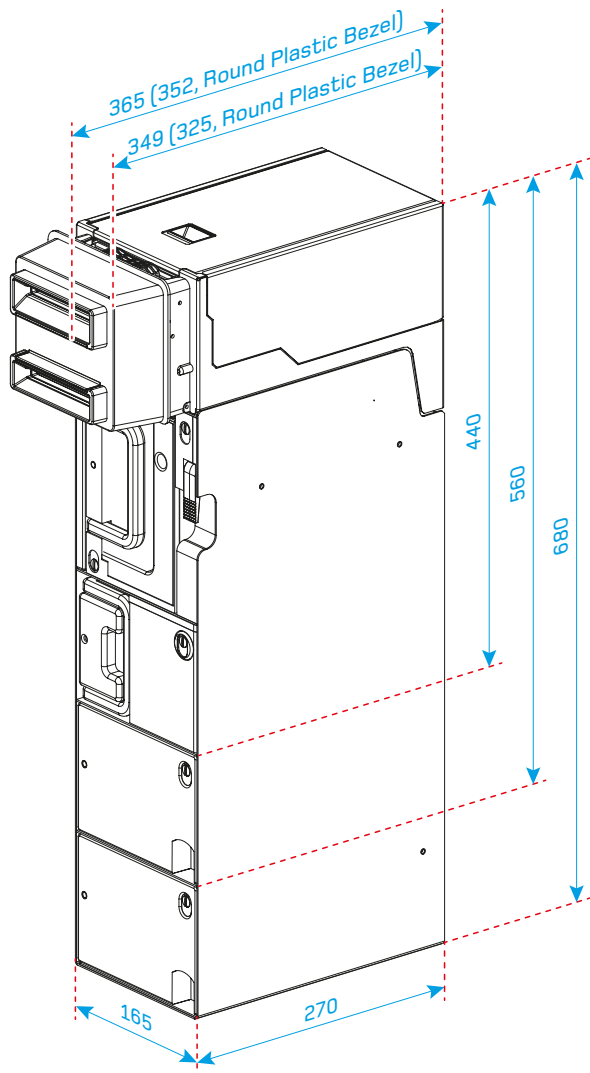
#### Explanation product configuration

CI <b>XX</b> -XX X	Deposit Cassette capacity
	<b>1</b> - Up to 800 banknotes capacity
	<b>2</b> - Up to 1,950 banknotes capacity
CI <b>XX</b> -XX X	Quantity of available slots in the Chassis
CI XX- <b>XX</b> X	Quantity of installed Recycling Modules
CI XX- <b>XX</b> X	Quantity of installed Dispense Cassettes
CI XX-XX <b>X</b>	Sensor versions: C or F

<b>Capacity</b>	<ul style="list-style-type: none"> <li>&gt; Deposit Cassette: up to 800/1,950 banknotes</li> <li>&gt; Dispense Cassette: up to 250 banknotes</li> <li>&gt; Recycling Module: 2 denominations Max. 80 banknotes capacity/denomination, 160 banknotes in total</li> <li>&gt; Escrow: max. 20 banknotes</li> </ul>
<b>MCBJ<sup>1</sup></b>	20,000 banknote cycles
<b>MCBF<sup>2</sup></b>	300,000 banknote cycles
<b>MTTR<sup>3</sup></b>	< 30 min.
<b>Interfaces</b>	HW: USB 2.0 Type B, optional pull back lock, RS 232 for BIM Emulation SW: Native interface in C/C++/C#, BIM Emulation OS: WIN XP/7/8/10 and Linux (Debian)

<sup>1</sup> Mean Cycles Between Jams  
<sup>2</sup> Mean Cycles Between Failure  
<sup>3</sup> Mean Time To Repair

### Dimensions



<b>Environmental conditions</b>	<ul style="list-style-type: none"> <li>&gt; Operating: 0–55°C, relative humidity 20–90% no condensation</li> <li>&gt; Transport: –30 to 60°C, relative humidity 5–95% no condensation</li> </ul>
<b>Power</b>	<ul style="list-style-type: none"> <li>&gt; 24V DC +/- 10%</li> <li>&gt; Standby ca. 500 mA</li> <li>&gt; Peak max. 5.0A (CI Note Line BIM), 6.4A–7.6A (CI Note Line Recycle), 9.0A–9.7A (CI Note Line Dispense)</li> </ul>
<b>Compliance</b>	<ul style="list-style-type: none"> <li>&gt; CE Conformity</li> <li>&gt; UL Recognized Component</li> <li>&gt; UL File E348773</li> </ul>
<b>Banknote format acceptance</b>	<ul style="list-style-type: none"> <li>&gt; Deposit Cassette &amp; Recycling Module width: 60–85 mm, length: 120–181 mm</li> <li>&gt; Dispense Cassette width: 60–85 mm, length: 120–160 mm</li> </ul>

Config.	Weight (kg)	Height (mm)	Depth (mm) w/o Bezel	Width (mm)
CI 20-00	14.8	440	270	165
CI 11-10	18.5			
CI 11-01	17.8			
CI 12-11	22.1	560		
CI 12-20	22.5			
CI 12-02	21.6			
CI 21-01	21.2	680		
CI 21-10	22.0			
CI 13-30	28.4			
CI 13-21	28.2	680		
CI 13-12	27.7			
CI 13-03	27.2			
CI 22-02	25.2			
CI 22-11	25.3	680		
CI 22-20	25.8			

