



CI note

Line

A single note device for accepting cash and providing change simplifies the payment process for self-service applications, improves the operator's efficiency and enhances the customer experience.



The CI Note Line family is designed to meet the different requirements of self-service applications in Transport, Retail, Banking and Financial Services industries.

CI Note Line addresses the following:

Banknote verification and quality sorting

- > Authentication, recognition and optionally quality or fitness sorting (e.g. according to ECB regulations)
- > CI Tech's proven sensor technology enables highest acceptance rates
- > Accepts up to 200 denominations out of 70+ currencies simultaneously

Modularity

- > Modular product family with deposit, dispense and recycle function
- > Three different chassis sizes and a flexible Submodule composition enable many different configurations covering current and future market requirements

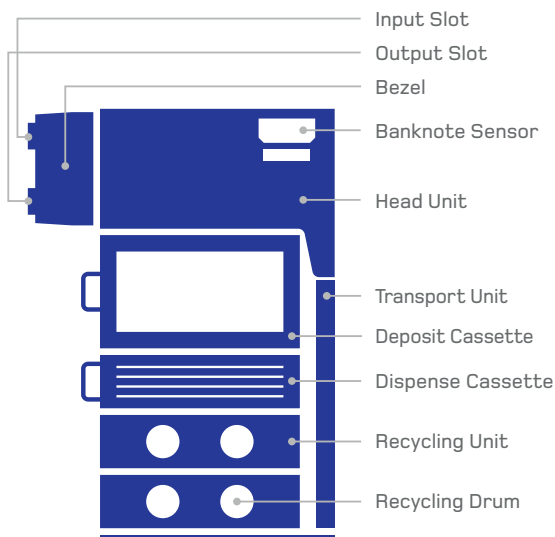
Security

- > All banknotes transported through CI Note Line are properly tracked, ensuring the consistency of your cash management system
- > Submodule monitoring during normal operation and during a power down state

Core benefits

Secure and efficient cash handling	<ul style="list-style-type: none"> > Withdrawing of suspect banknotes including traceability > Submodule monitoring during normal operation and during a power down state
Universal Currency Templates	<ul style="list-style-type: none"> > Supports single- and multi-Currency Templates > Remote update via Host-PC or directly on-site via interface
Product configuration – scalable solution	<ul style="list-style-type: none"> > Multitude of hard- and software configurations > Universal sized Submodules are compatible with each other
Software flexibility	<ul style="list-style-type: none"> > Generic firmware for all device types > Cloning of configuration settings > Universal Currency Templates
Repair & spare parts	<ul style="list-style-type: none"> > Easy and quick exchange of Submodules > No tools required for Submodule replacement > One product training for all product configurations
Practical serviceability	<ul style="list-style-type: none"> > Easy jam clearance – all transport paths are fully accessible > Guarantees better machine uptime
Lower cash handling costs with dispense and recycle function	<ul style="list-style-type: none"> > Optimal change provided for a better customer experience > Reduced float level for improving operating costs > Longer CIT pick-up cycles result in improved machine uptime
Accepts and recycles exceptional banknotes	<ul style="list-style-type: none"> > Up to 85 mm width (e.g. GBP 50) > Up to 181 mm length (e.g. CHF 1,000, 8th series)
Download Portal	> 24/7 download of Currency Templates, documentation and software

CI Note Line configuration



Shown configuration icon example:
CI 13-21

CI Note Line BIM



CI Note Line Dispense



CI Note Line Recycle



Product configuration explanation

CI XX -XX X	Deposit Cassette capacity
	1 - Up to 800 banknotes capacity
	2 - Up to 1,950 banknotes capacity
CI XX -XX X	Quantity of available slots in the Chassis
CI XX- XX X	Quantity of installed Recycling Units
CI XX- XX X	Quantity of installed Dispense Cassettes
CI XX-XX X	Sensor versions: C or F

Capacity	<ul style="list-style-type: none"> > Deposit Cassette: up to 800/1,950 banknotes > Dispense Cassette: up to 250 banknotes > Recycling Unit: 2 denominations Max. 80 banknotes capacity/denomination, 160 banknotes in total > Escrow: max. 20 banknotes
MCBJ¹	20,000 banknote cycles
MCBF²	300,000 banknote cycles
MTTR³	< 30 min.
Interfaces	HW: USB 2.0 Type B, optional pull back lock, RS 232 for BIM Emulation SW: Native interface in C/C++/C#, BIM Emulation OS: WIN XP/7/8/10 and Linux (Debian)

¹ Mean Cycles Between Jams

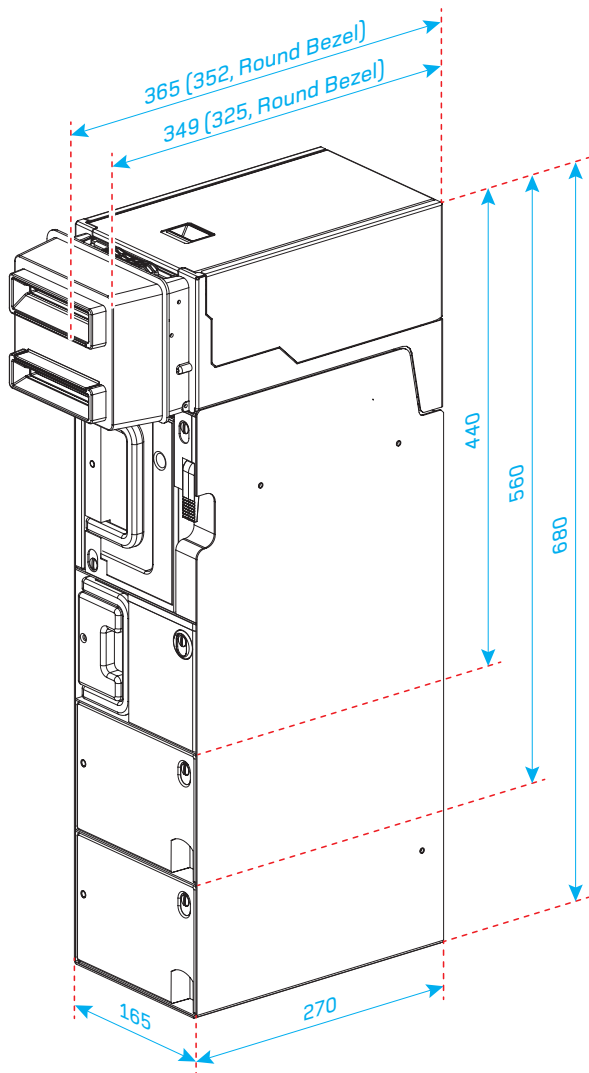
² Mean Cycles Between Failures

³ Mean Time To Repair:

Average time to exchange submodules or the entire unit in the field

Environmental conditions	<ul style="list-style-type: none"> > Operating: 0–55°C, relative humidity 20–90% no condensation > Transport: –30 to 60°C, relative humidity 5–95% no condensation
Power	<ul style="list-style-type: none"> > 24V DC +/- 10% > Standby ca. 500 mA > Peak max. 5.0A (CI Note Line BIM), 6.4A–7.6A (CI Note Line Recycle), 9.0A–9.7A (CI Note Line Dispense)
Compliance	<ul style="list-style-type: none"> > CE Conformity > UL Recognized Component > UL File E348773
Banknote format acceptance	<ul style="list-style-type: none"> > Deposit Cassette & Recycling Unit width: 60–85 mm, length: 120–181 mm > Dispense Cassette width: 60–85 mm, length: 120–160 mm

Dimensions



Config.	Weight (kg)	Height (mm)	Depth (mm) w/o Bezel	Width (mm)
CI 20-00	14.8	440	270	165
CI 11-10	18.5			
CI 11-01	17.8			
CI 12-11	22.1	560		
CI 12-20	22.5			
CI 12-02	21.6			
CI 21-01	21.2	680		
CI 21-10	22.0			
CI 13-30	28.4			
CI 13-21	28.2	680		
CI 13-12	27.7			
CI 13-03	27.2			
CI 22-02	25.2			
CI 22-11	25.3	680		
CI 22-20	25.8			

